

The Sundowner SuperTack is the all aluminum gooseneck slant load trailer of the working equestrian's dream. The SuperTack accommodates from 2-6 horses and features a spacious front tack room with double doors, rubber floor mats, swing out saddle racks, hat shelf with clothes rod, blanket tree, bridle bars and three corner shelves. The horse area has 60/40 rear doors, collapsible rear tack, drop down feed windows with face grills, dome light per stall, side access door on the first stall with a drop down window, 20x24 window per stall on the curb side and many more options!

# SuperTack

GOOSENECK



### STANDARD FEATURES

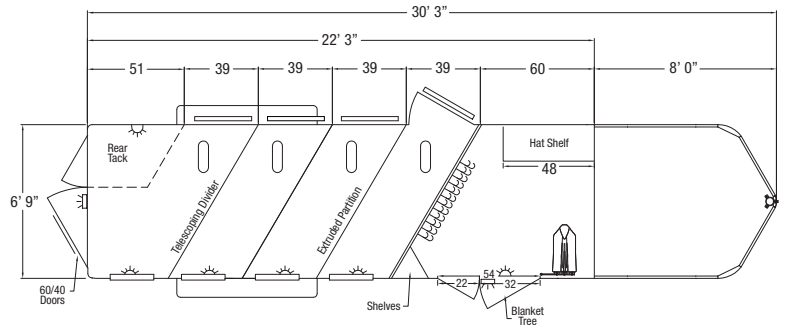
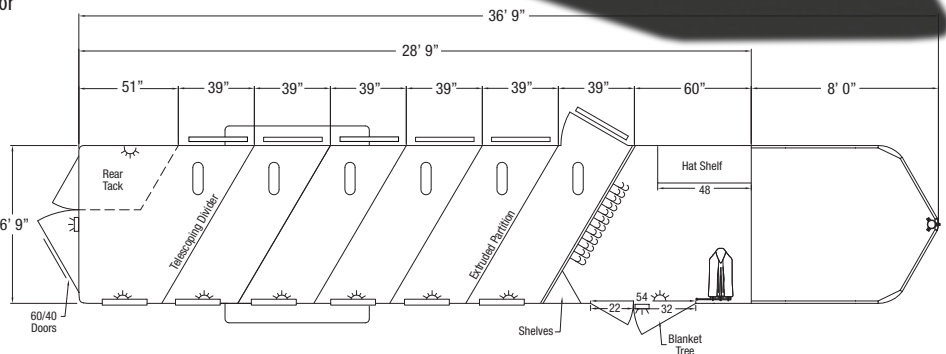
- 2 5/16" Gooseneck hitch, adjustable
- 6' 9" Wide
- 7' Tall
- 2 to 6 Horse
- Slant load
- 39" Wide stalls
- All aluminum construction
- Interlocking extruded aluminum floor
- Prepainted aluminum skin
- Stainless steel nose wrap
- 60/40 Rear doors (left door no window; right door w/window)
- Rubber torsion axles
- 235/16 Tires, nitrogen filled
- Spare tire
- Aluminum wheels
- 4 Wheel electric brakes with safety breakaway
- Rear rubber bumper
- LED load lights one at rear door and 1 over front double tack doors
- LED clearance lights
- 4 LED tail lights
- Full length running boards
- Collapsible rear tack
- Drop leg jack
- Graphics

### FRONT TACK ROOM

- Locking Double Doors with combination, cam latch and locking hasp
- Rubber floor mats
- SunCoated™ breast plate with carpeted gooseneck deck
- Felt board lined and insulated slant wall
- Interior dome light
- Swing out saddle rack
- 4" Hat shelf with clothes rod
- 6 Bar blanket tree on tack door
- 4-6 Hook Bridle Bars on slant wall (24 hooks)
- 3 Corner shelves

### POPULAR OPTIONS

- Skin colors: white, black, silver, charcoal, champagne
- Feed bags
- Extra height
- Extra lighting
- Rear ramp



### HORSE AREA

- Floor mats
- 48" SunCoated™
- 39" Wide stalls, slant load
- Tubing head and shoulder dividers with pads
- Extruded lower partition on first stall
- Drop down feed window with face grill per stall (head side)
- 20 x 24 window per stall curb side
- Side door with drop down window in first stall
- Pop up horse vent per stall
- Dome light per stall
- 2 Inside and one outside tie ring per stall

