

Super Sport

BUMPER PULL



The industry's best selling slant load trailer, the Super Sport is an all aluminum slant load horse trailer designed for the versatility that many horse enthusiasts are searching for today. This bumper pull is available in a 2, 3 or 4 horse model. It has drop down feed windows with face grills on the head side and removable Plexiglass on the rump side and double rear doors. The Super Sport has removable dividers, rubber floor mats and comes with a front tack storage room. This trailer is perfect for hauling with smaller tow vehicles.

STANDARD FEATURES

- 2 5/16" Bumper pull hitch
- 6' 9" Wide
- 7' Tall
- 2, 3 or 4 horse
- Slant load
- 39" Wide stalls
- All aluminum construction
- Interlocking extruded aluminum floor
- 2" Upright wall posts welded on both sides
- Prepainted aluminum skin
- LED clearance and tail lights
- Rubber torsion axles
- 4 Wheel electric brakes with safety breakaway
- Rear rubber bumper
- Full length running boards
- Top wind jack
- Graphics



HORSE AREA

- Padded airflow head and shoulder dividers
- Floor mats in horse area
- Drop down feed window with face grill per stall (head side)
- 2 Air gaps with removable Plexiglas on rump side
- 48" Suncoated™ horse area
- Pop up horse vent per stall
- Double rear doors with sliding windows
- Dome light in horse area
- 2 Inside and one outside tie ring per stall



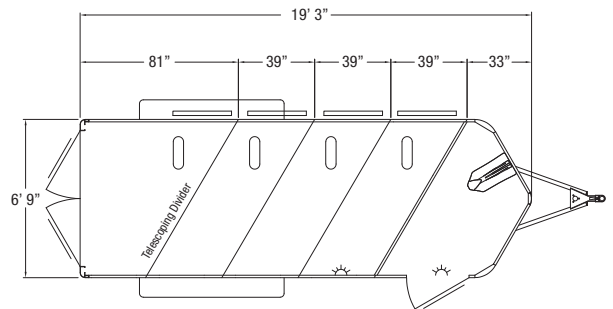
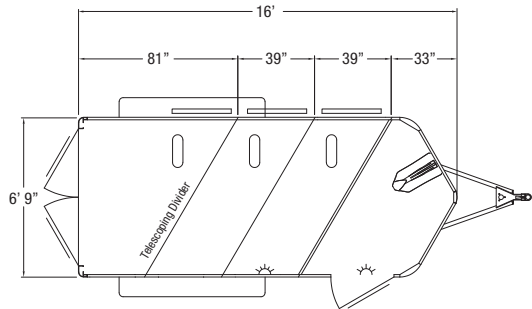
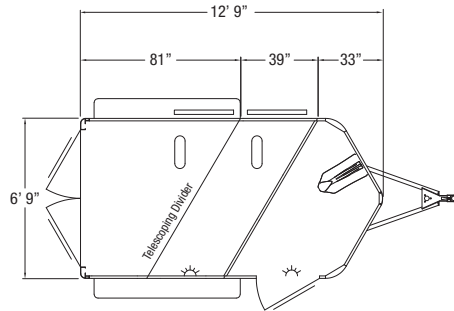
FRONT TACK STORAGE

- Locking door with sliding window
- Rubber floor mats
- Interior dome light
- 6 Tack hooks
- Saddle rack per stall



POPULAR OPTIONS

- Extra height
- Extra lighting
- Skin colors: white, black, silver, charcoal, champagne
- Gravel guard
- Rear ramp
- Rear tack
- Spare
- Swing out saddle rack



* UPGRADES *

- 20x24 Hip Window
- Load Light
- Porch Light
- 2' Gravel Guard